

# BOLTING TOOL: HYDRAULIC NUT SPLITTERS

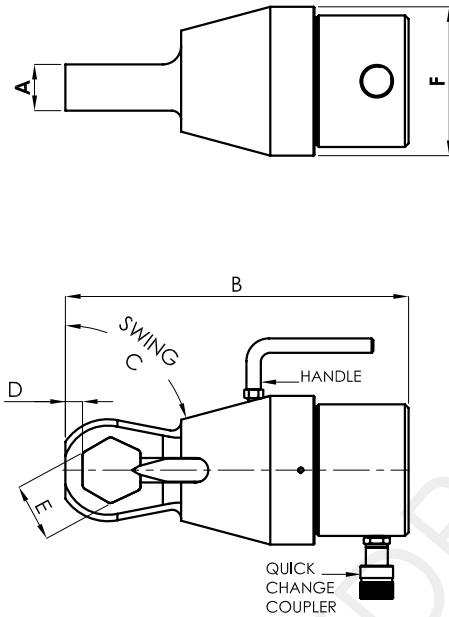
## Features:

- \* To remove corroded/ frozen Nuts
- \* Easy to use, No damage to bolt or stud
- \* Operated with Hand Pump or Motorized Unit
- \* Industrial Range for Metric & Imperial Sizes
- \* Working Pressure: 700 kg/cm<sup>2</sup>
- \* Heavy Duty Chisels can be Re-Ground
- \* Single Acting, Spring Return
- \* Applications: Petrochemical, Steel, Mining etc

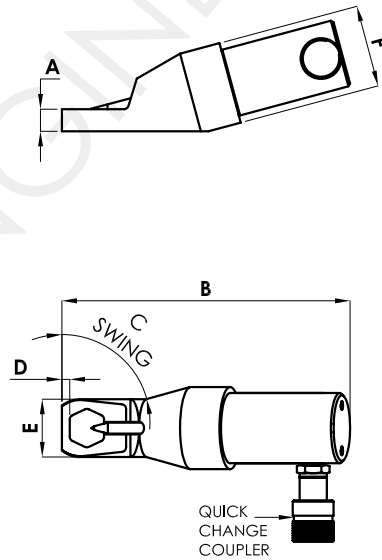
**SMHYDRA**  
HYDRAULIC SOLUTIONS


**NS**  
Pg 1/1

**Straight Headed Nut Splitter**  
(Model: NS-105 to NS-506)



**\* Angle Headed Nut Splitter**  
(Model: NS-100 only)



| Model   | Stud Diameter |                                 | Nut A/F  |                                   | 'A'  | 'B' | 'C' | 'D'  | 'E'  | 'F'  | Weight |       |
|---------|---------------|---------------------------------|---------------------------------------------------------------------------------------------|-----------------------------------|------|-----|-----|------|------|------|--------|-------|
|         | (mm)          | (inch)                          | (mm)                                                                                        | (inch)                            |      |     |     |      |      |      | (mm)   | (mm)  |
| NS-100* | 11-16         | $\frac{7}{16} - \frac{5}{8}$    | 13-27                                                                                       | $\frac{1}{2} - 1$                 | 19.5 | 255 | 30  | 7.2  | 51   | 72.5 | 5      | 11.1  |
| NS-105  | 11-22         | $\frac{7}{16} - \frac{7}{8}$    | 16-36                                                                                       | $\frac{5}{8} - 1 \frac{7}{16}$    | 38   | 279 | 60  | 11.5 | 38.7 | 105  | 12     | 26.5  |
| NS-161  | 19-25         | $\frac{3}{4} - 1$               | 32-41                                                                                       | $1 \frac{1}{4} - 1 \frac{5}{8}$   | 38   | 281 | 60  | 11.5 | 44   | 105  | 12     | 26.5  |
| NS-200  | 22-32         | $\frac{7}{8} - 1 \frac{1}{4}$   | 36-51                                                                                       | $1 \frac{7}{16} - 2$              | 38   | 295 | 45  | 15.2 | 54   | 108  | 13     | 28.7  |
| NS-204  | 32-38         | $1 \frac{1}{4} - 1 \frac{1}{2}$ | 46-60                                                                                       | $1 \frac{13}{16} - 2 \frac{3}{8}$ | 51   | 378 | 30  | 18.8 | 64   | 164  | 33     | 72.8  |
| NS-210  | 35-45         | $1 \frac{3}{8} - 1 \frac{3}{4}$ | 57-70                                                                                       | $2 \frac{1}{4} - 2 \frac{3}{4}$   | 51   | 399 | 30  | 22   | 77.5 | 164  | 33     | 72.8  |
| NS-296  | 38-48         | $1 \frac{1}{2} - 1 \frac{7}{8}$ | 60-75                                                                                       | $2 \frac{3}{8} - 2 \frac{15}{16}$ | 53   | 401 | 30  | 25.3 | 85.4 | 164  | 33     | 72.8  |
| NS-308  | 45-57         | $1 \frac{3}{4} - 2 \frac{1}{4}$ | 70-89                                                                                       | $2 \frac{3}{4} - 3 \frac{1}{2}$   | 78   | 465 | 30  | 21   | 98.6 | 214  | 73     | 160.9 |
| NS-314  | 50-64         | $2 - 2 \frac{1}{2}$             | 80-98                                                                                       | $3 \frac{1}{8} - 3 \frac{7}{8}$   | 78   | 493 | 30  | 24.3 | 108  | 214  | 75     | 165.3 |
| NS-404  | 64-70         | $2 \frac{1}{2} - 2 \frac{3}{4}$ | 95-108                                                                                      | $3 \frac{3}{4} - 4 \frac{1}{4}$   | 95   | 577 | 60  | 32   | 118  | 257  | 111    | 244.7 |
| NS-500  | 76-83         | $3 - 3 \frac{1}{4}$             | 114-127                                                                                     | $4 \frac{1}{2} - 5$               | 106  | 592 | 60  | 30   | 137  | 251  | 114    | 251.3 |
| NS-506  | 83-89         | $3 \frac{1}{4} - 3 \frac{1}{2}$ | 124-136                                                                                     | $4 \frac{7}{8} - 5 \frac{3}{8}$   | 106  | 600 | 60  | 30   | 149  | 251  | 119    | 262.4 |

**Note:** In case your requirement does not matches the specified models, kindly contact us for customized design. The dimension are subjected to change on account of design improvement.